

Alfa Quick Series - Pizza Ovens - Natural Gas

ITEM:	59321	59322	59330
MODEL:	PE-IT-0002-G	PE-IT-0004-G	PE-IT-0006-G



59321, 59322 (without stand)



59330 (with stand)

*comes with conversion kits

Lightweight, quick and easy to install professional pizza ovens

The Quick Series pizza ovens are capable of meeting the needs of multiple catering activities. Food trucks, small shops and bistros that want to add pizzas to their menu, or pizzerias with a high hourly production, can find the most suitable solution for their spaces and production needs with the Quick Series.

Alfa professional pizza ovens are immediately ready for use. They do not require masonry works and are so small that they can fit through standard doors found in normal premises.

FEATURES:

- **Ready to use**

Does not require masonry work and is immediately ready to churn out pizzas that are consistently cooked to perfection.

- **Reduced consumption**

Alfa technology, innovation and optimized design offer concrete fuel savings without ever giving up on highcooking performance.

- **Weather resistant**

The high quality double powder coating makes the Quick Series ovens perfect for outdoor installations as well.

- **Cooler environments**

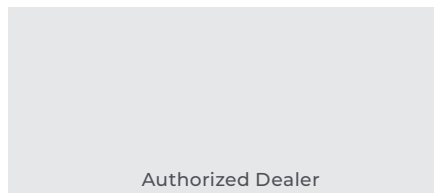
Thanks to the double front-suction hood, the Quick Series ovens reduce the heat perceived by the pizza maker by 20%.

- **Built-in Installation**

Alfa professional pizza ovens can be installed in built-in mode, taking care to leave adequate space for maintenance.

- **Digital thermometer**

A convenient and practical digital thermometer enables a quick view of the temperature inside the cooking chamber and an even more precise handling of the oven.



Technical Specification

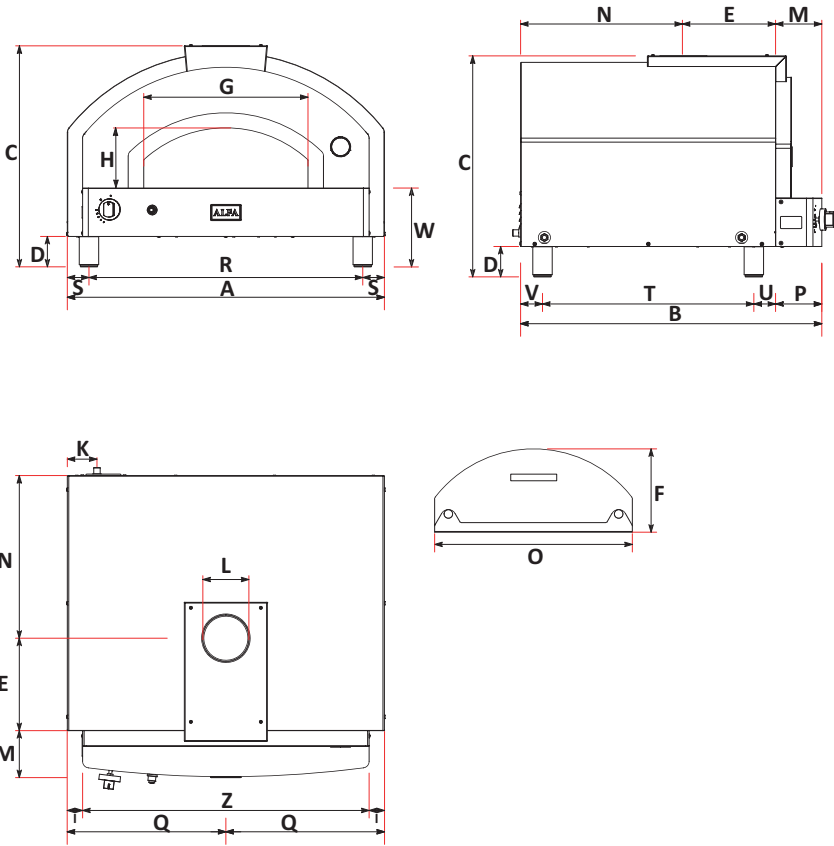
Features	Quick Series - 4 Pizza (Without stand)	Quick Series - 2 Pizzas (Without stand)	Quick Series - 6 Pizza (With stand)
Item	59322	59321	59330
Model	PE-IT-0004-G	PE-IT-0002-G	PE-IT-0006-G
Gas Type	Natural Gas (NG) / Liquid Propane (LP)	Natural Gas (NG) / Liquid Propane (LP)	Natural Gas (NG) / Liquid Propane (LP)
Pizza Capacity	4	2	6
Pizza Production (per hour)	50	40	70
Material	Stainless Steel, iron sheet, Ceramic fiber	Stainless Steel, Iron sheet, Ceramic fiber	Stainless Steel, Iron sheet, Ceramic fiber
BTU (per hour)	102,364	81,891	116,012.82
Heat Capacity	30kW	24 kW	34 kW
Heating Time (to reach 500°C / 932°F)	50 minutes	40 minutes	70 minutes
Max consumption	3,80 mc/h	1,8 mc/h	2,98 mc/h
Smoke Temperature	410°C (770°F)	410°C (770°F)	410°C (770°F)
Max Oven Temperature	500°C (932°F)	500°C (932°F)	500°C (932°F)
Suction Flow Rate	55 m3/h	55 m3/h	55 m3/h
Volumetric Flow	28,92g/s	28,92g/s	28,92g/s
Cooking Floor	35.4" x 35.4" (900 x 900 mm)	31.5" x 27.5" (800 x 700 mm)	47.25" x 43.3" (1200 x 1100 mm)
Net Weight	555.6 lb. (252 kg.)	421 lb. (191 kg.)	1210.3 lb. (549 kg.)
Net Dimensions (WDH)	46.9" x 48.4" x 31.5" (1190 x 1230 x 800 mm)	40.9" x 39" x 28.6" (1040 x 990 x 727 mm)	55.1" x 61.4" x 37.4" (1400 x 1560 x 950 mm)
With Stand Dimensions	-	-	H = 72.8" (1850 mm)
Gross Weight	695.55 lb. (315.5 kg.)	502.6 lb. (228 kg.)	1420.9 lb. (644.5 kg.)
Gross Dimensions (WDH)	56.1 56.1 41.3" (1425 x 1425 x 1050 mm)	114" x 109" x 95.8" (44.8 x 42.9 x 37.7 mm)	63.7" x 67.7" x 80.7" (1620 x 1720 x 205 mm)

Accessories

Item	Description	Compatible
59336	Butterfly valve for Quick Series 2 Gas	59321
59337	Butterfly valve for Quick Series 4 & 6 Gas and 2 Wood	59322, 59330
59334	Chimney cap for Quick Series 2 Gas	59321
59335	Chimney cap for Quick Series 4 & 6 and 2 Wood	59322, 59330
59332	Chimney flue for Quick Series 2 Gas	59321
59333	Chimney flue for Quick Series 4 & 6 Gas and 2 Wood	59322, 59330
59323	Kit hybrid for Quick Series 2	59321
59324	Kit hybrid for Quick Series 4	59322
59325	Kit hybrid for Quick Series 6	59330
59326	Black Stand for Quick Series 2	59321
59327	Black Stand for Quick Series 4	59322

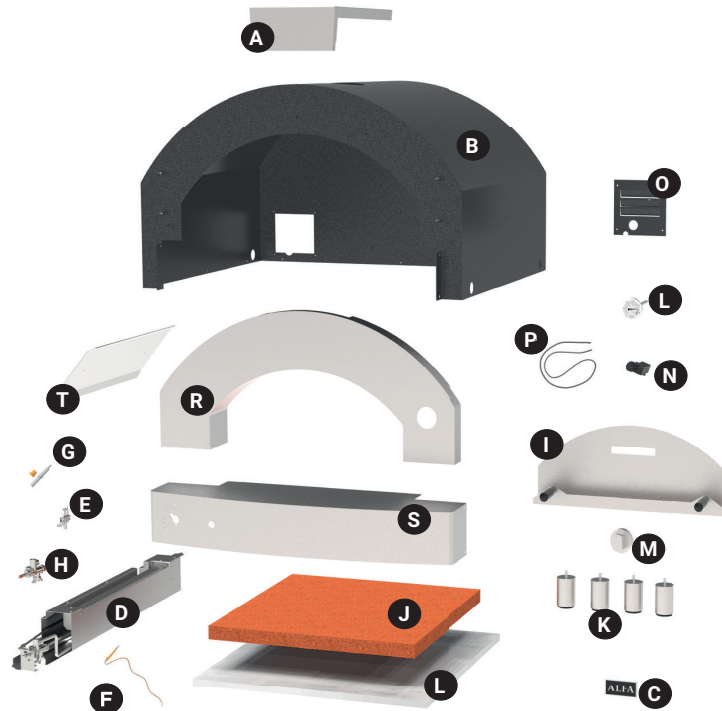


Technical Drawing - 59321



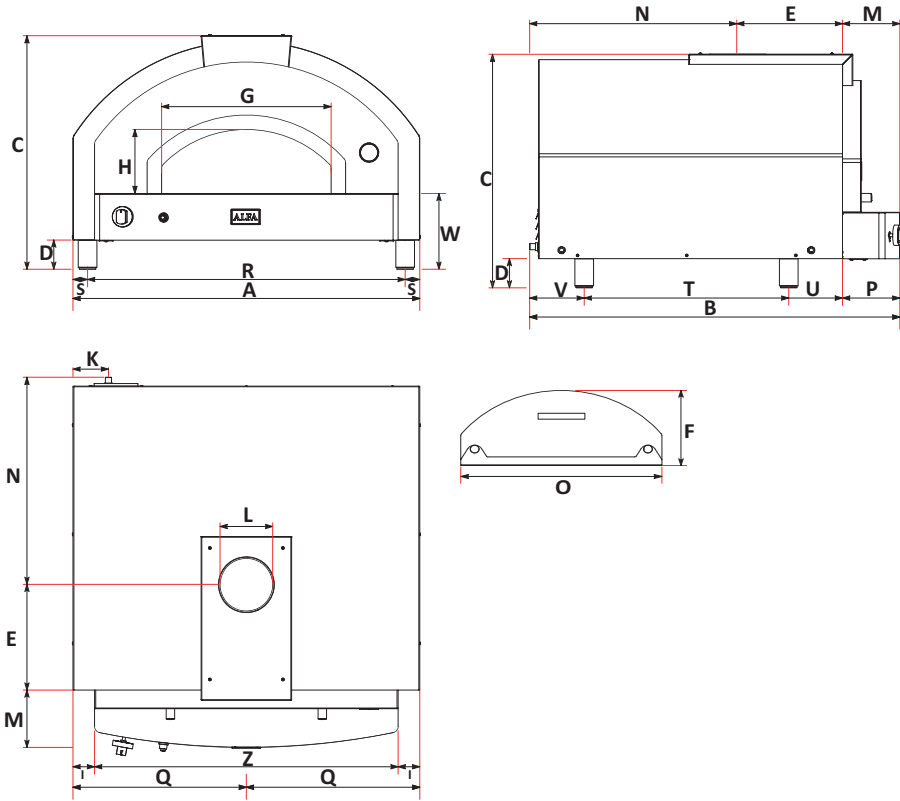
	cm	inch		cm	inch
A	104	40,9	N	53,2	20,9
B	99	39	O	62	24,4
C	72,7	28,6	P	15,2	6
D	10	3,9	Q	52,2	20,5
E	30,6	12,1	R	90	35,4
F	24	9,4	S	7,1	2,8
G	54	21,3	T	69,5	27,4
H	19,8	7,8	U	7,2	2,8
I	5,1	2,0	V	7,2	2,8
K	9,8	3,8	W	26	10,2
L	15	5,9	Z	94,2	37,1
M	15,2	6			

Description Descrizione	Code Codice
Flange Flangia	A R-FLG02000700
External shell Carter esterno	B* R-CRT0101000
Logo Alfa (v1.0)	C D14PLAC-ALFA
KIT GAS	D R-GAS01000600
Pilot group Gruppo pilota	E D14PILO-565
Thermocouple Termocoppia	F D14TERM-850
Glow plug Candeletta	G D14ELET-2,5
Gas tap Rubinetto GAS	H B0032825
Door Sportello	I R-SPT01000200
Red bricks 40x40 cm Mattoni 40x40 cm	J R-RRA4040
Feet (n.4) Piedini	K D14PIED-M10X25-2
Thermometer Termometro	L YT63-190
Gas knob Manopola Gas	M D14MANO-70
Electric generator Generatore elettrico	N GENELP003IQ
Side gas cover Carter laterale Gas	O** R-CRT01001200
Electrical cable Cavo elettrico	P CAVOTV-1500
Skamotek	Q Skamotec_1000_900
Arch Archetto	R R-ARC01000300
Sill Davanzale	S R-DVZ01000100
Shield	T R-CMC02001400



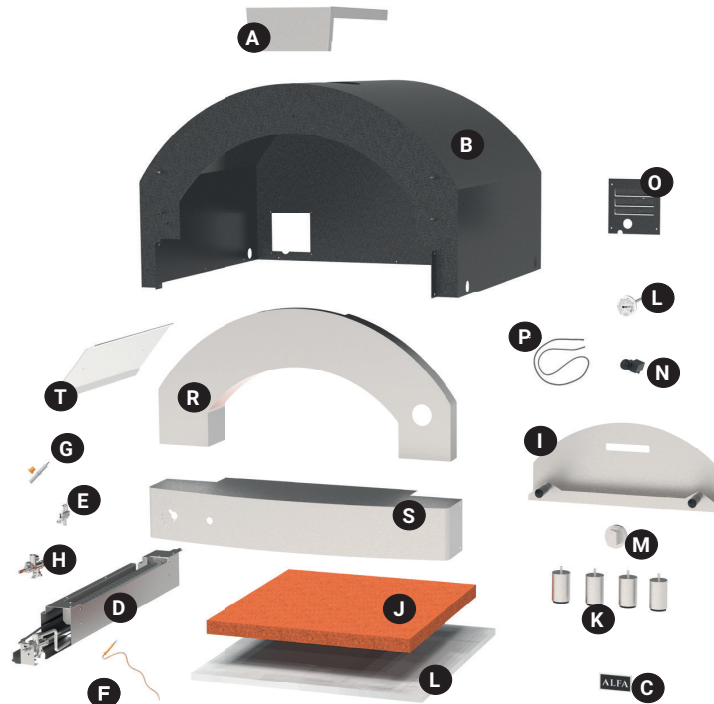
59321
(without stand)

Technical Drawing - 59322



	cm	inch		cm	inch
A	118,7	46,7	N	70,88	27,9
B	126,7	49,9	O	65,9	25,9
C	79,9	31,5	P	19,65	7,7
D	10	3,9	Q	59,35	23,4
E	36,18	14,2	R	108,7	42,8
F	26,15	10,3	S	5	2,0
G	58	22,8	T	70	27,6
H	22	8,7	U	18,37	7,2
I	7,4	2,9	V	18,68	7,4
K	12,1	4,8	W	25,93	10,2
L	18	7,1	Z	103,89	40,9
M	19,63	7,7			

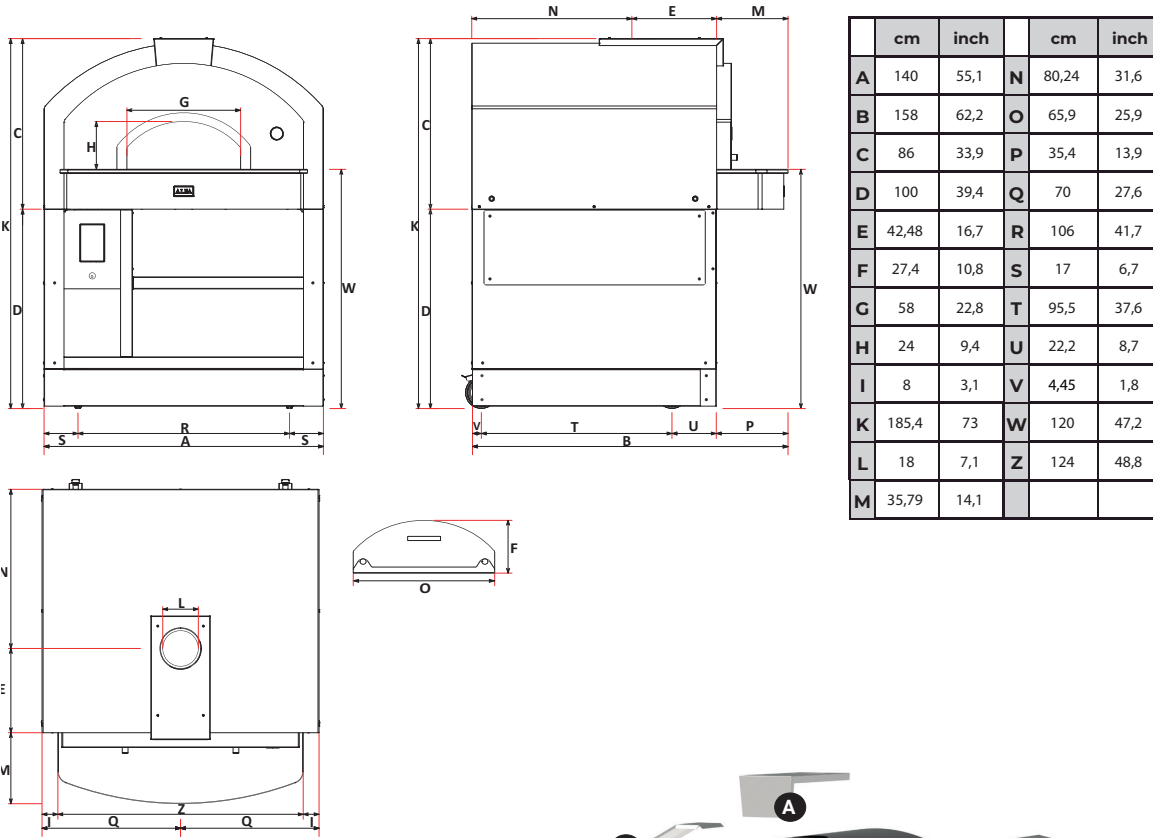
Description	Code	Description	Code
Descrizione	Codice	Descrizione	Codice
Flange Flangia	A	R-FLG-2-004	
External shell Carter esterno	B*	R-CRT-1-040	
Logo Alfa (v1.0)	C	D14PLAC-ALFA	
KIT GAS	D	R-GAS-1-006	
Pilot group Gruppo pilota	E	D14PILO-565	
Thermocouple Termocoppia	F	D14TERM-1000	
Glow plug Candeletta	G	D14ELET-2,5	
Gas tap Rubinetto GAS	H	B0032825	
Door Sportello	I	R-SPT-1-021	
Red bricks 40x40 cm Mattoni 40x40 cm	J	R-RRA4040	
Feet (n.4) Piedini	K	D14PIED-M10X25-2	
Thermometer Termometro	L	YT63-190	
Gas knob Manopola Gas	M	D14MANO-70	
Electric generator Generatore elettrico	N	GENELP003IQ	
Side gas cover Carter laterale Gas	O**	R-CRT01001300	
Electrical cable Cavo elettrico	P	CAVOTV-1500	
Skamotek	Q	Skamotec_1000_900	
Arch Archetto	R	R-ARC-1-025	
Sill Davanzale	S	R-DVZ-1-019	
Shield	T	R-CMB-2-118	



59322
(without stand)

** : see table on last page

Technical Drawing - 59330



Description Descrizione	Code Codice
Flange Flangia	A R-FLG-2-006
External shell Carter esterno	B* R-CRT-1-038
Logo Alfa (v1.0)	C D14PLAC-ALFA
KIT GAS	D R-GAS03001000
Control unit Centralina comando	E C32SOND-D2
Temperature probe Sonda temperature	F R-DRAGOCON
Door Sportello	G R-SPT-1-003
Red bricks 40x40 cm Mattoni 40x40 cm	H R-RRA4040
Probe shell Carter sonda	I** CRT-2-121
Side gas cover Carter laterale Gas	K R-CRT-2-121
Skamotek	L Skamotek
Arch Archetto	M R-ARC-1-021
Stainless steel sill Davanzale acciaio inox	N¹ R-DVZ-1-018
Lava stone sill Davanzale in pietra lavica	N² DVZ02000700
Shield	O R-CMB-2-125
Shield Gas Quick 6	P R-CMB-2-109
Lower base shelf Ripiano Base inferiore	Q R-BAS-1-021
Upper base shelf Ripiano Base superiore	R R-BAS-1-024
Basic castors with brakes Ruote Base con freno	S R-RTE03000100
Lateral base right Gas Laterale Base Dx Gas	U R-BAS-1-023
Lateral base left Gas Laterale Base Sx Gas	V R-BAS-1-022
Front wheel covers Copri-ruote frontale	Y R-BAS02006300
Side wheel covers Copri-ruote laterale	Y¹ R-BAS02006200



	Silver Grey	Black	Antique Red	Blue	Sideral Green	Copper
B*	R-CRT-1-038-GRI	R-CRT-1-038-NER	R-CRT-1-038-ROA	R-CRT-1-038-BLU	R-CRT-1-038-VES	R-CRT-1-038-RAM
I**	CRT-2-121-GRI	CRT-2-121-NER	CRT-2-121-ROA	CRT-2-121-BLU	CRT-2-121-VES	CRT-2-121-RAM